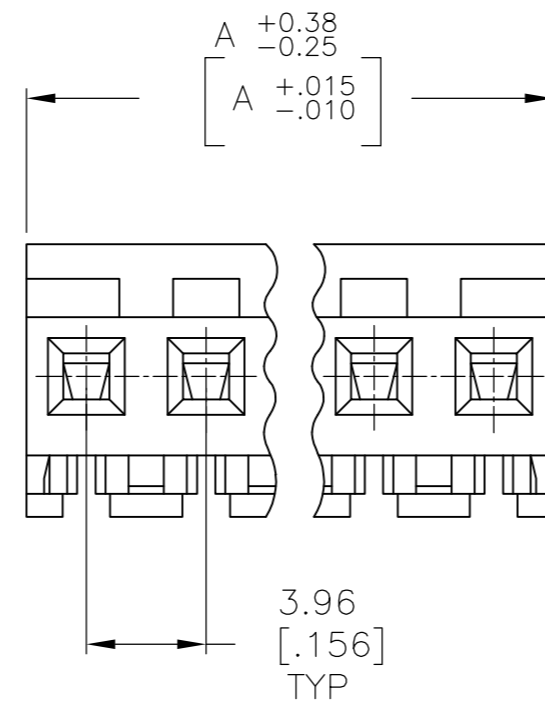
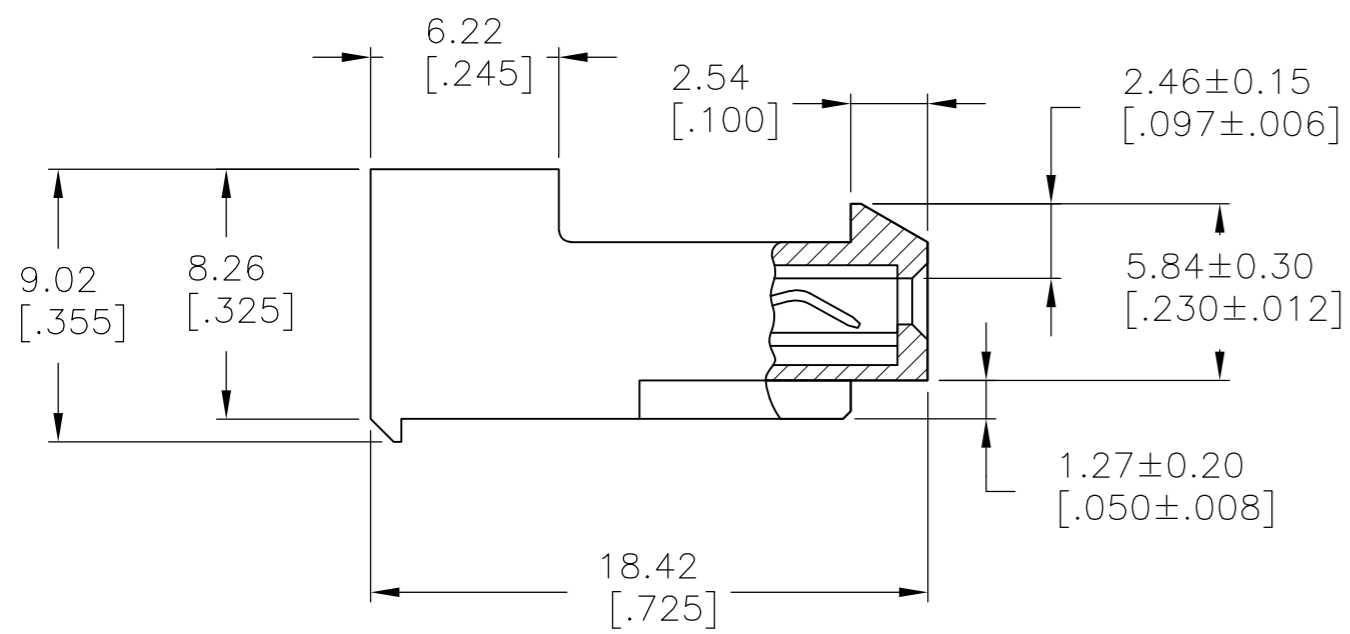
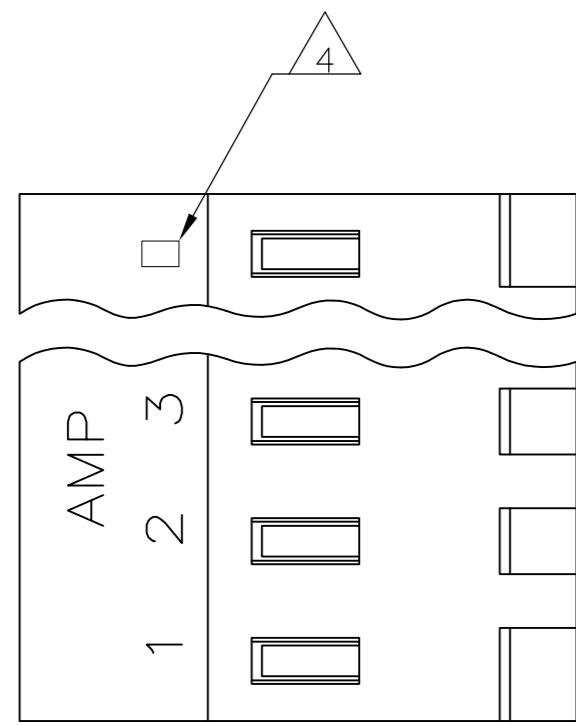


THIS DRAWING IS UNPUBLISHED. RELEASED FOR PUBLICATION
 © COPYRIGHT - By - TE CONNECTIVITY ALL RIGHTS RESERVED.

LOC	DIST	REVISIONS					
		P	LTR	DESCRIPTION	DATE	DWN	APVD
CM	00		T2	REVISED PER ECR-15-006687	26OCT2015	NK	NL



1 MATERIAL: CONNECTOR - NYLON UL94V-2 (YELLOW).
 CONTACTS - 0.00076[.000030] GOLD THK OR 0.00008[.000003] MIN THK
 GOLD FLASH OVER 0.00068[.000027] THK PALLADIUM NICKEL,
 PER TE CONNECTIVITY'S DISCRETION. IN CONTACT
 AREA WITH MATTE TIN FOR 641218-2
 THRU 2-641218-4, MATTE WHISKER MITIGATED
 TIN FOR 3-641218-2 THRU 5-641218-4
 OVER NICKEL UNDERPLATE.

2 CONTACTS ACCEPT 20 AWG WIRE WITH 2.41[.095] MAX
 INSULATION DIAMETER.

3 CONTACTS MUST ACCEPT 1.14±0.03 [.045±.001] SQUARE
 POST AND REMAIN LOCKED IN POSITION.

4 IDENTIFICATION NUMBER FOR LAST CIRCUIT MAY
 NOT APPEAR ON ALL ASSEMBLIES.

5 DIMENSIONS IN BRACKETS ARE IN INCHES.

6 HOUSING FEATURES ARE: CLOSED END WITH LOCKING
 RAMP.

7 OBSOLETE PARTS: OBSOLETE CIS STREAMLINING PER D.RENAUD/D.SINISI

95.10	[3.744]	24	5-641218-4
91.14	[3.588]	23	5-641218-3
87.17	[3.432]	22	5-641218-2
83.21	[3.276]	21	5-641218-1
79.25	[3.120]	20	5-641218-0
75.29	[2.964]	19	4-641218-9
71.32	[2.808]	18	4-641218-8
67.36	[2.652]	17	4-641218-7
63.40	[2.496]	16	4-641218-6
59.44	[2.340]	15	4-641218-5
55.47	[2.184]	14	4-641218-4
51.51	[2.028]	13	4-641218-3
47.55	[1.872]	12	4-641218-2
43.59	[1.716]	11	4-641218-1
39.62	[1.560]	10	4-641218-0
35.66	[1.404]	9	3-641218-9
31.70	[1.248]	8	3-641218-8
27.74	[1.092]	7	3-641218-7
23.77	[.936]	6	3-641218-6
19.81	[.780]	5	3-641218-5
15.85	[.624]	4	3-641218-4
11.89	[.468]	3	3-641218-3
7.92	[.312]	2	3-641218-2

7	SUPERCEDED BY 5-641218-4	95.10	[3.744]	24	2-641218-4
7	SUPERCEDED BY 5-641218-3	91.14	[3.588]	23	2-641218-3
7	SUPERCEDED BY 5-641218-2	87.17	[3.432]	22	2-641218-2
7	SUPERCEDED BY 5-641218-1	83.21	[3.276]	21	2-641218-1
7	SUPERCEDED BY 5-641218-0	79.25	[3.120]	20	2-641218-0
7	SUPERCEDED BY 4-641218-9	75.29	[2.964]	19	1-641218-9
7	SUPERCEDED BY 4-641218-8	71.32	[2.808]	18	1-641218-8
7	SUPERCEDED BY 4-641218-7	67.36	[2.652]	17	1-641218-7
7	SUPERCEDED BY 4-641218-6	63.40	[2.496]	16	1-641218-6
7	SUPERCEDED BY 4-641218-5	59.44	[2.340]	15	1-641218-5
7	SUPERCEDED BY 4-641218-4	55.47	[2.184]	14	1-641218-4
7	SUPERCEDED BY 4-641218-3	51.51	[2.028]	13	1-641218-3
7	OBSOLETE	47.55	[1.872]	12	1-641218-2
7	SUPERCEDED BY 4-641218-1	43.59	[1.716]	11	1-641218-1
7	OBSOLETE	39.62	[1.560]	10	1-641218-0
7	SUPERCEDED BY 3-641218-9	35.66	[1.404]	9	641218-9
7	OBSOLETE	31.70	[1.248]	8	641218-8
7	SUPERCEDED BY 3-641218-7	27.74	[1.092]	7	641218-7
7	OBSOLETE	23.77	[.936]	6	641218-6
7	SUPERCEDED BY 3-641218-5	19.81	[.780]	5	641218-5
7	OBSOLETE	15.85	[.624]	4	641218-4
7	OBSOLETE	11.89	[.468]	3	641218-3
7	OBSOLETE	7.92	[.312]	2	641218-2

DIM A NO OF CIRCUITS PART NO

THIS DRAWING IS A CONTROLLED DOCUMENT.		DWN B. LEWIS 12 FEB 91	TE Connectivity	
DIMENSIONS: mm [INCHES]		CHK R. SWING 12 FEB 91	MTA-156 CONNECTOR ASSEMBLY, 20 AWG, STANDARD	
TOLERANCES UNLESS OTHERWISE SPECIFIED:		APVD D. CLARK 20 FEB 91	RESTRICTED TO	
0 PLC ± -	1 PLC ± -	PRODUCT SPEC 108-1051	SIZE A2	CAGE CODE 00779
2 PLC ± -	3 PLC ± -	APPLICATION SPEC 114-1020	DRAWING NO C-641218	SCALE 4:1
4 PLC ± -	ANGLES ± -	WEIGHT -	SHEET 1 OF 1	REV T2
MATERIAL 1	FINISH 1	CUSTOMER DRAWING		